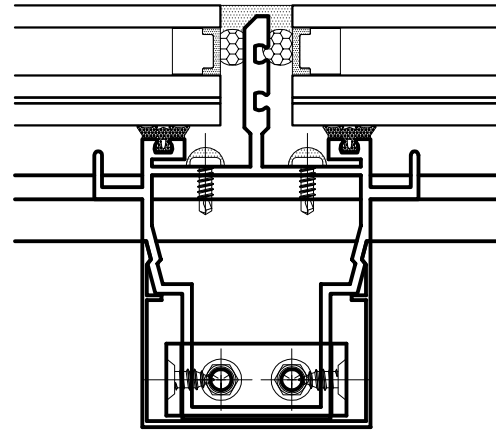
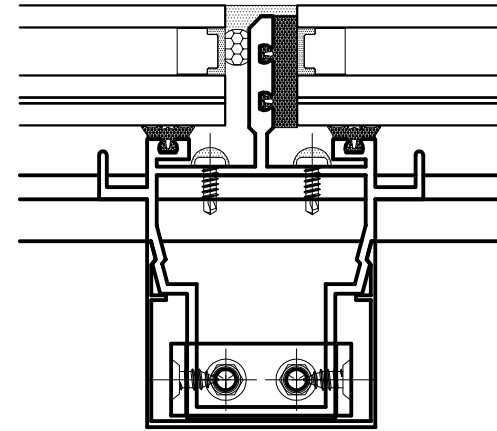


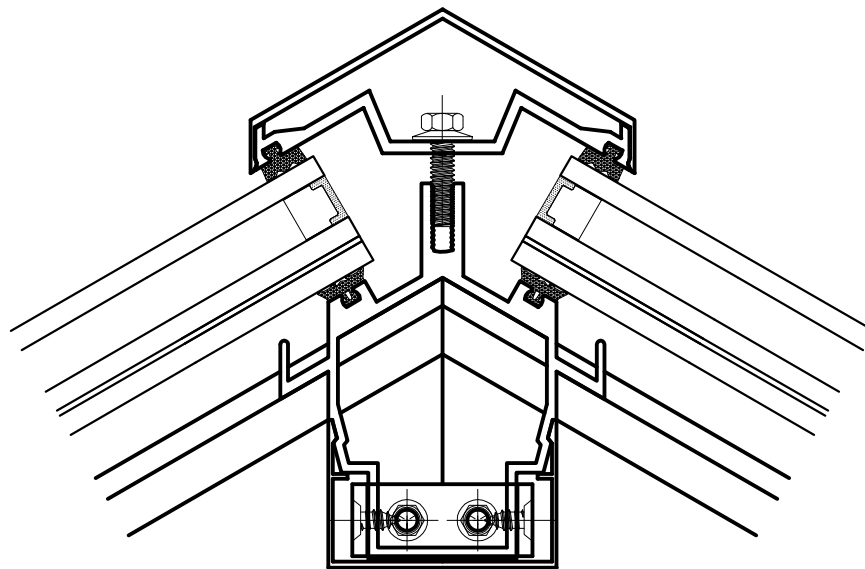
1
1 TYPICAL RAFTER
TWO-SIDED GLAZED, PRESSURE EQUALIZED



2
1 TYPICAL PURLIN
TWO-SIDED GLAZED, PRESSURE EQUALIZED



3
1 TYPICAL PURLIN AT SETTING BLOCK
TWO-SIDED GLAZED, PRESSURE EQUALIZED



4
1 TYPICAL RIDGE AT GLAZING SCREW
TWO-SIDED GLAZED, PRESSURE EQUALIZED



GLAZING JOINT STYLE:

TWO-SIDED GLAZED

AIR & WATER INFILTRATION MANAGEMENT STYLE:

PRESSURE EQUALIZED

KEY COMPONENTS:

- PART 1
- PART 2
- PART 3
- PART 4
- PART 5
- PART 6
- PART 7
- PART 8
- PART 9
- PART 10

NOTES:

- NOTE 1
- NOTE 2
- NOTE 3

SCALE: 6" = 1'