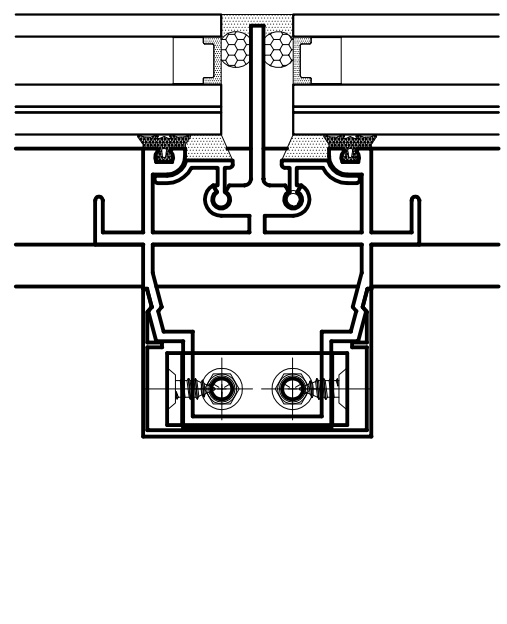
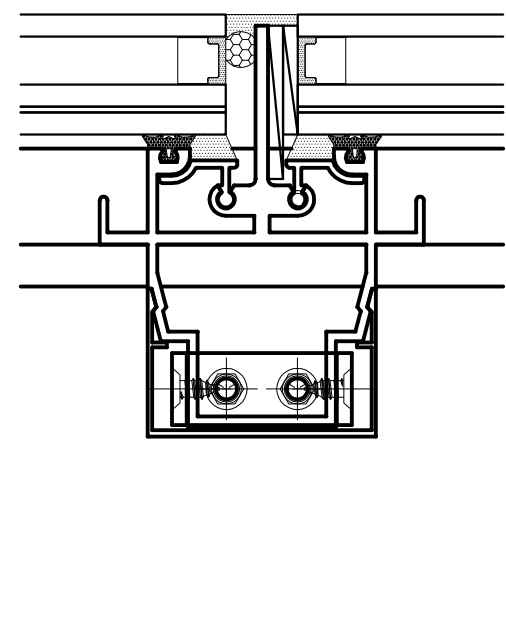


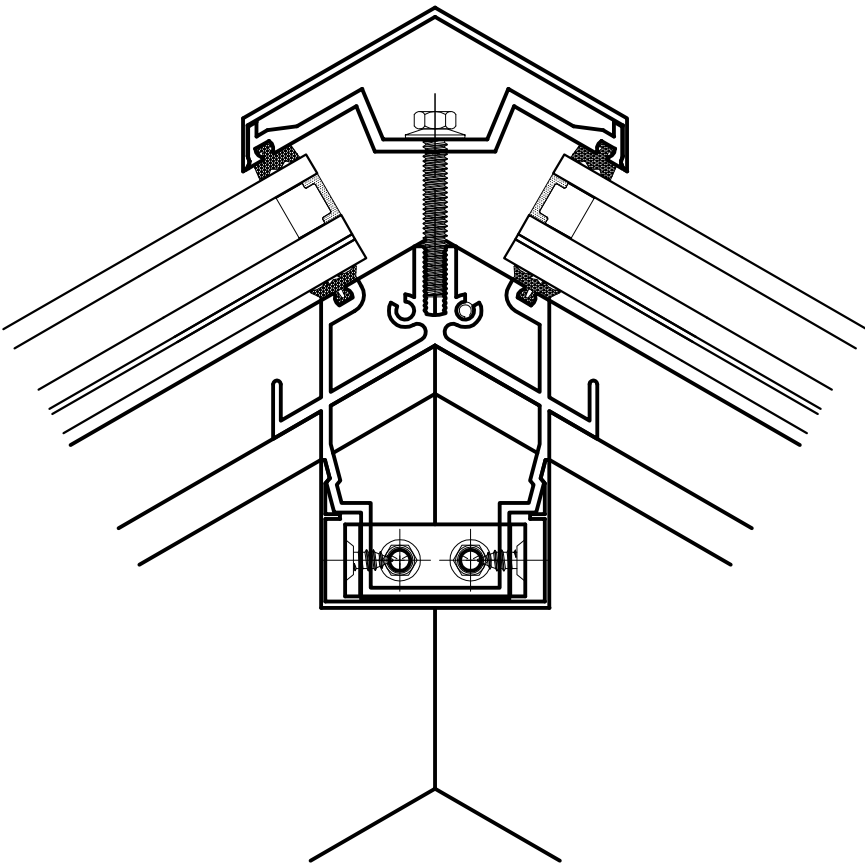
1  
1 TYPICAL RAFTER  
TWO-SIDED GLAZED, EXTERNALLY GUTTERED



2  
1 TYPICAL PURLIN  
TWO-SIDED GLAZED, EXTERNALLY GUTTERED



3  
1 TYPICAL PURLIN AT SETTING BLOCK  
TWO-SIDED GLAZED, EXTERNALLY GUTTERED



4  
1 TYPICAL RIDGE AT GLAZING SCREW  
TWO-SIDED GLAZED, EXTERNALLY GUTTERED

GLAZING JOINT STYLE:  
TWO-SIDED GLAZED

AIR & WATER INFILTRATION MANAGEMENT STYLE:  
EXTERNALLY GUTTERED

- KEY COMPONENTS:
- PART 1
  - PART 2
  - PART 3
  - PART 4
  - PART 5
  - PART 6
  - PART 7
  - PART 8
  - PART 9
  - PART 10

NOTES:  
NOTE 1  
NOTE 2  
NOTE 3

SCALE: 6" = 1'

ALL INFORMATION SHOWN ON THIS SHEET, INCLUDING WITHOUT LIMITATION TEXT, PLANS, SECTIONS, DETAILS AND DIMENSIONS, ARE THE PROPERTY OF LINEL SIGNATURE, LLC. IT MAY NOT BE COPIED OR USED IN ANY WAY WITHOUT THE EXPRESS WRITTEN AUTHORIZATION OF LINEL SIGNATURE, LLC.