

GLAZING JOINT STYLE:
 STRUCTURALLY GLAZED

AIR & WATER INFILTRATION MANAGEMENT STYLE:
 EXTERNALLY GUTTERED

- KEY COMPONENTS:
- PART 1
 - PART 2
 - PART 3
 - PART 4
 - PART 5
 - PART 6
 - PART 7
 - PART 8
 - PART 9
 - PART 10

NOTES:

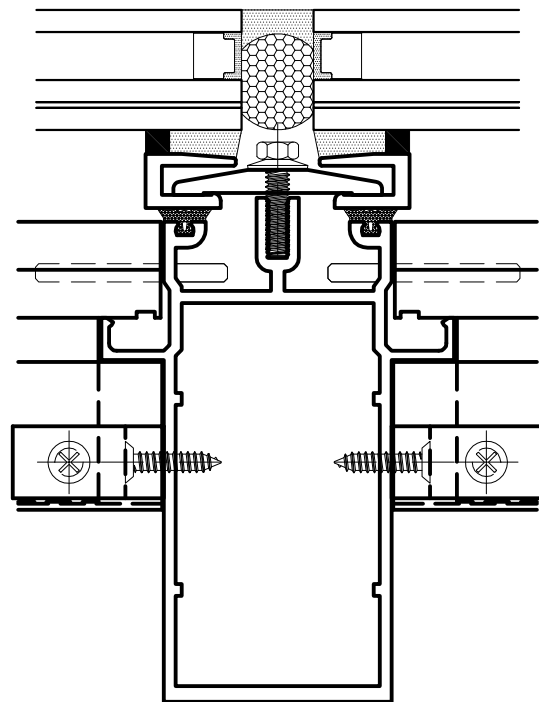
NOTE 1

NOTE 2

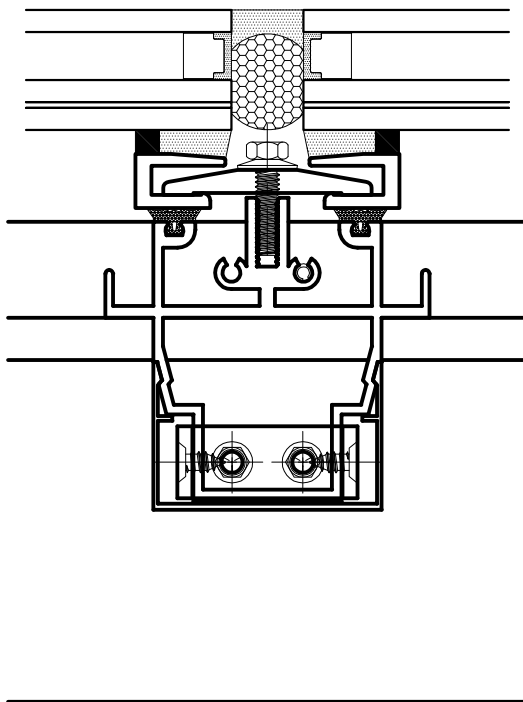
NOTE 3

SCALE: 6" = 1'

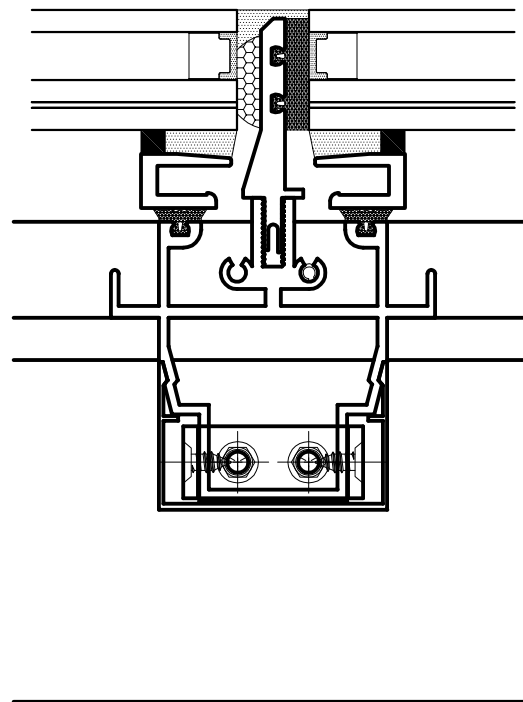
ALL INFORMATION SHOWN ON THIS SHEET, INCLUDING WITHOUT LIMITATION TEXT, PLANS, SECTIONS, DETAILS AND DIMENSIONS ARE THE PROPERTY OF LINEL SIGNATURE, LLC. IT MAY NOT BE COPIED OR USED IN ANY WAY WITHOUT THE EXPRESS WRITTEN AUTHORIZATION OF LINEL SIGNATURE, LLC.



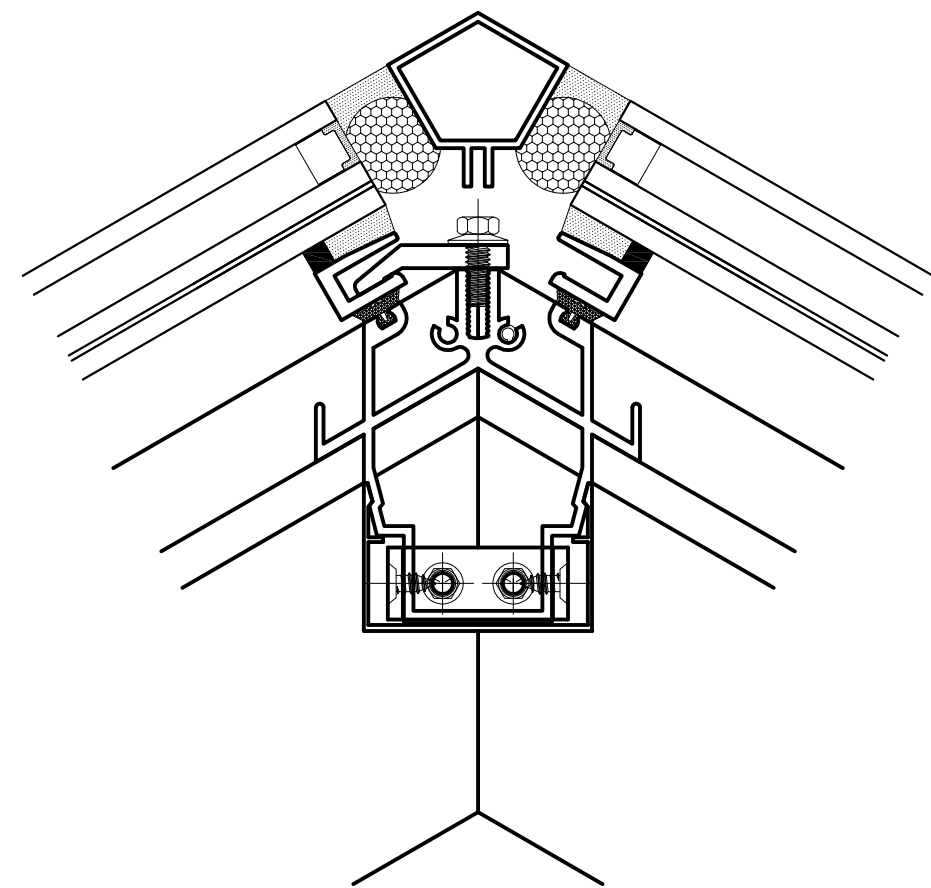
1
1 TYPICAL RAFTER
 STRUCTURALLY GLAZED, EXTERNALLY GUTTERED



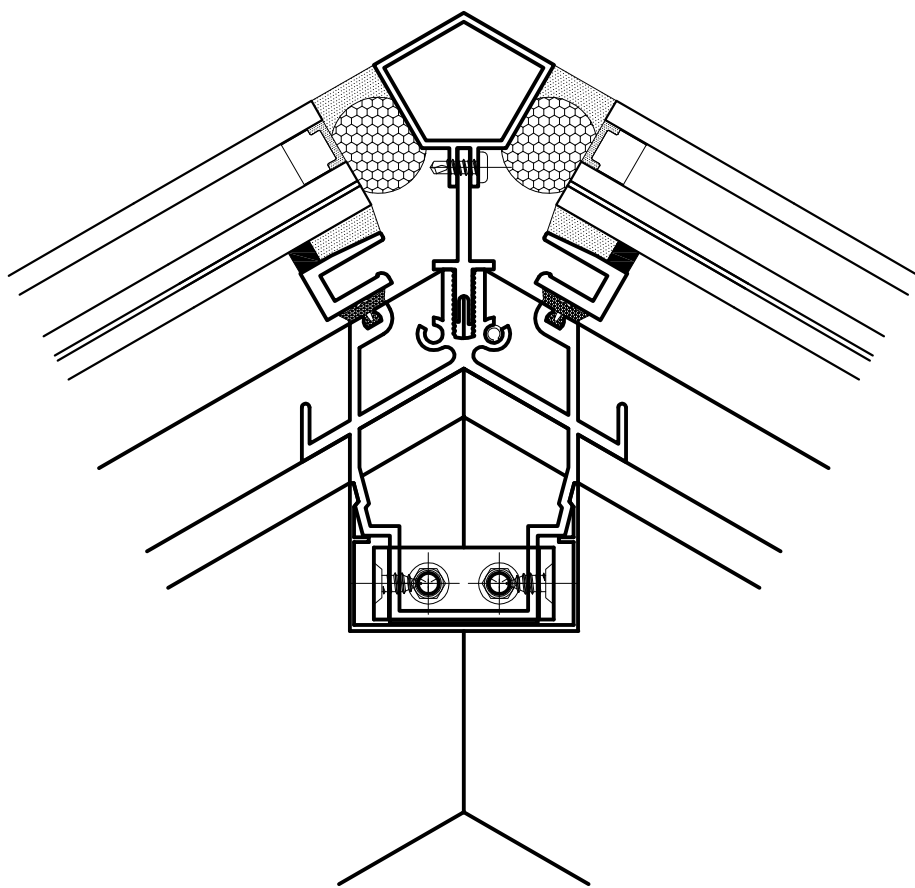
2
1 TYPICAL PURLIN AT RETENTION CLIP
 STRUCTURALLY GLAZED, EXTERNALLY GUTTERED



3
1 TYPICAL PURLIN AT SETTING BLOCK
 STRUCTURALLY GLAZED, EXTERNALLY GUTTERED



4
1 TYPICAL RIDGE AT RETENTION CLIP
 STRUCTURALLY GLAZED, EXTERNALLY GUTTERED



5
1 TYPICAL RIDGE AT REVEAL MOUNT
 STRUCTURALLY GLAZED, EXTERNALLY GUTTERED