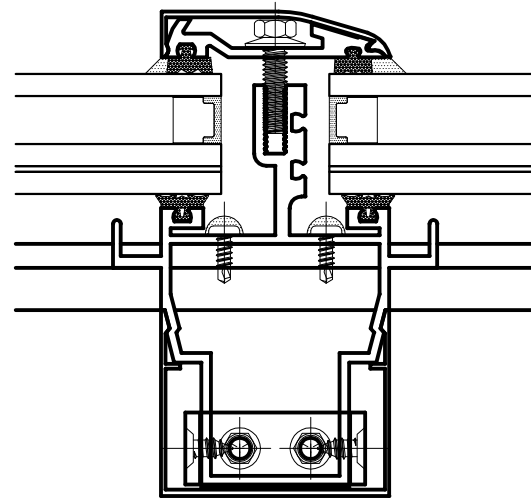
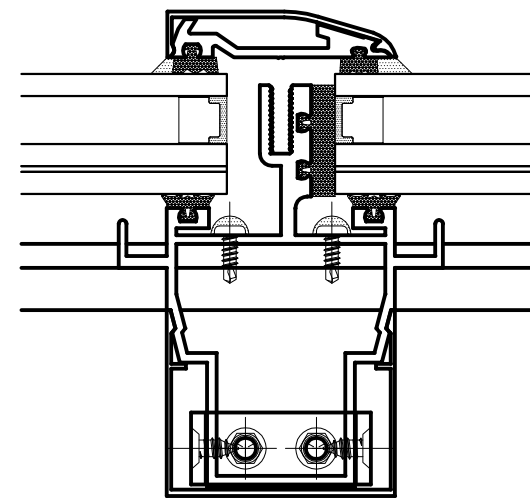


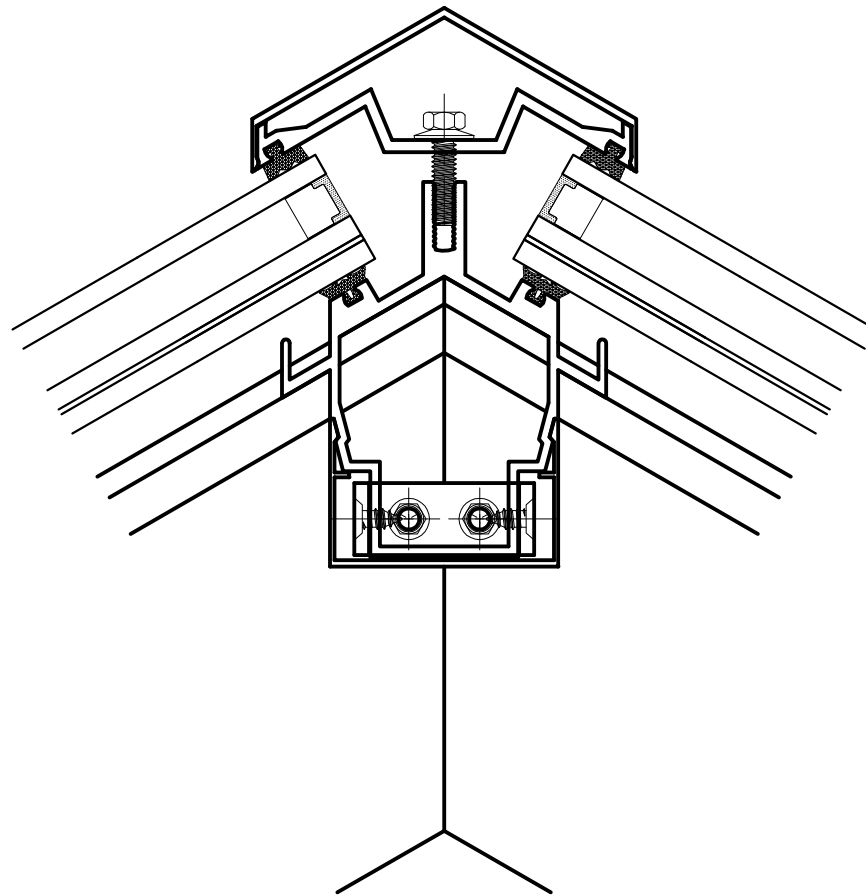
1
1 TYPICAL RAFTER
FULLY CAPTURED, PRESSURE EQUALIZED



2
1 TYPICAL PURLIN AT GLAZING SCREW
FULLY CAPTURED, PRESSURE EQUALIZED



3
1 TYPICAL PURLIN AT SETTING BLOCK
FULLY CAPTURED, PRESSURE EQUALIZED



4
1 TYPICAL RIDGE AT GLAZING SCREW
FULLY CAPTURED, PRESSURE EQUALIZED

GLAZING JOINT STYLE:
FULLY CAPTURED

AIR & WATER
INFILTRATION MANAGEMENT STYLE:
PRESSURE EQUALIZED

KEY COMPONENTS:

- PART 1
- PART 2
- PART 3
- PART 4
- PART 5
- PART 6
- PART 7
- PART 8
- PART 9
- PART 10

NOTES:

- NOTE 1
- NOTE 2
- NOTE 3

SCALE:
6" = 1'