

GLAZING JOINT STYLE:
 FULLY CAPTURED

AIR & WATER INFILTRATION MANAGEMENT STYLE:
 INTERNALLY GUTTERED

- KEY COMPONENTS:
- PART 1
 - PART 2
 - PART 3
 - PART 4
 - PART 5
 - PART 6
 - PART 7
 - PART 8
 - PART 9
 - PART 10

NOTES:

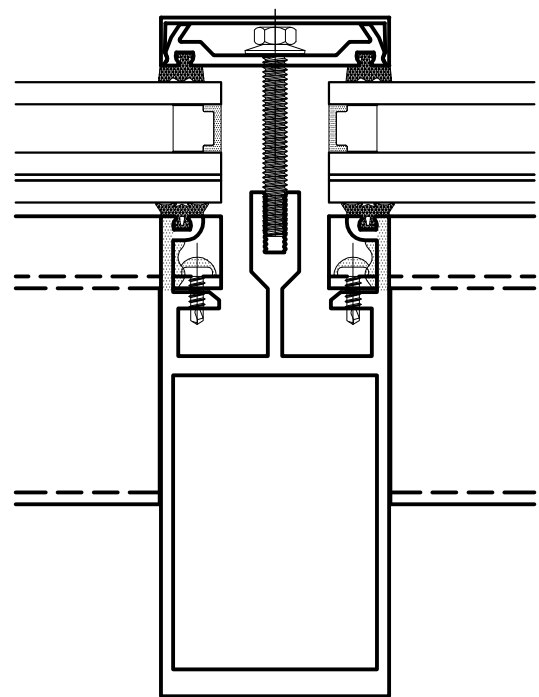
NOTE 1

NOTE 2

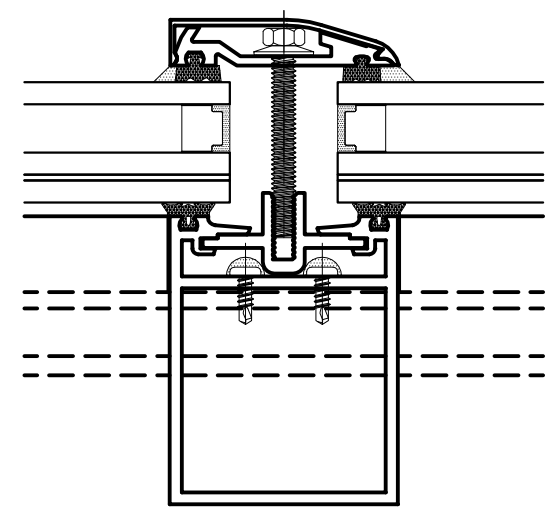
NOTE 3

SCALE: 6" = 1'

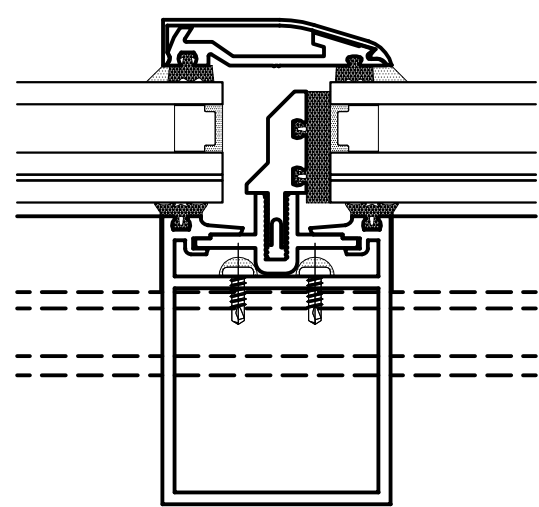
ALL INFORMATION SHOWN ON THIS SHEET, INCLUDING WITHOUT LIMITATION TEXT, PLANS, SECTIONS, DETAILS AND DIMENSIONS, ARE THE PROPERTY OF LINEL SIGNATURE, LLC. IT MAY NOT BE COPIED OR USED IN ANY WAY WITHOUT THE EXPRESS WRITTEN AUTHORIZATION OF LINEL SIGNATURE, LLC.



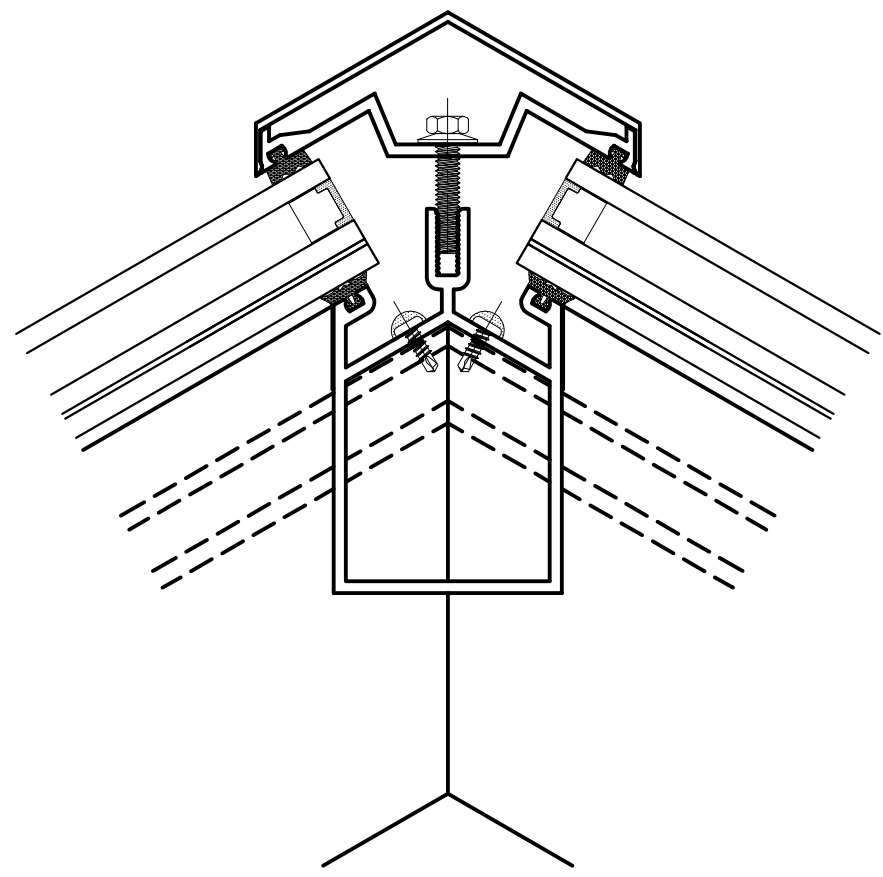
1
1 TYPICAL RAFTER
 FULLY CAPTURED, INTERNALLY GUTTERED



2
1 TYPICAL PURLIN AT GLAZING SCREW
 FULLY CAPTURED, INTERNALLY GUTTERED



3
1 TYPICAL PURLIN AT SETTING BLOCK
 FULLY CAPTURED, INTERNALLY GUTTERED



4
1 TYPICAL RIDGE AT GLAZING SCREW
 FULLY CAPTURED, INTERNALLY GUTTERED